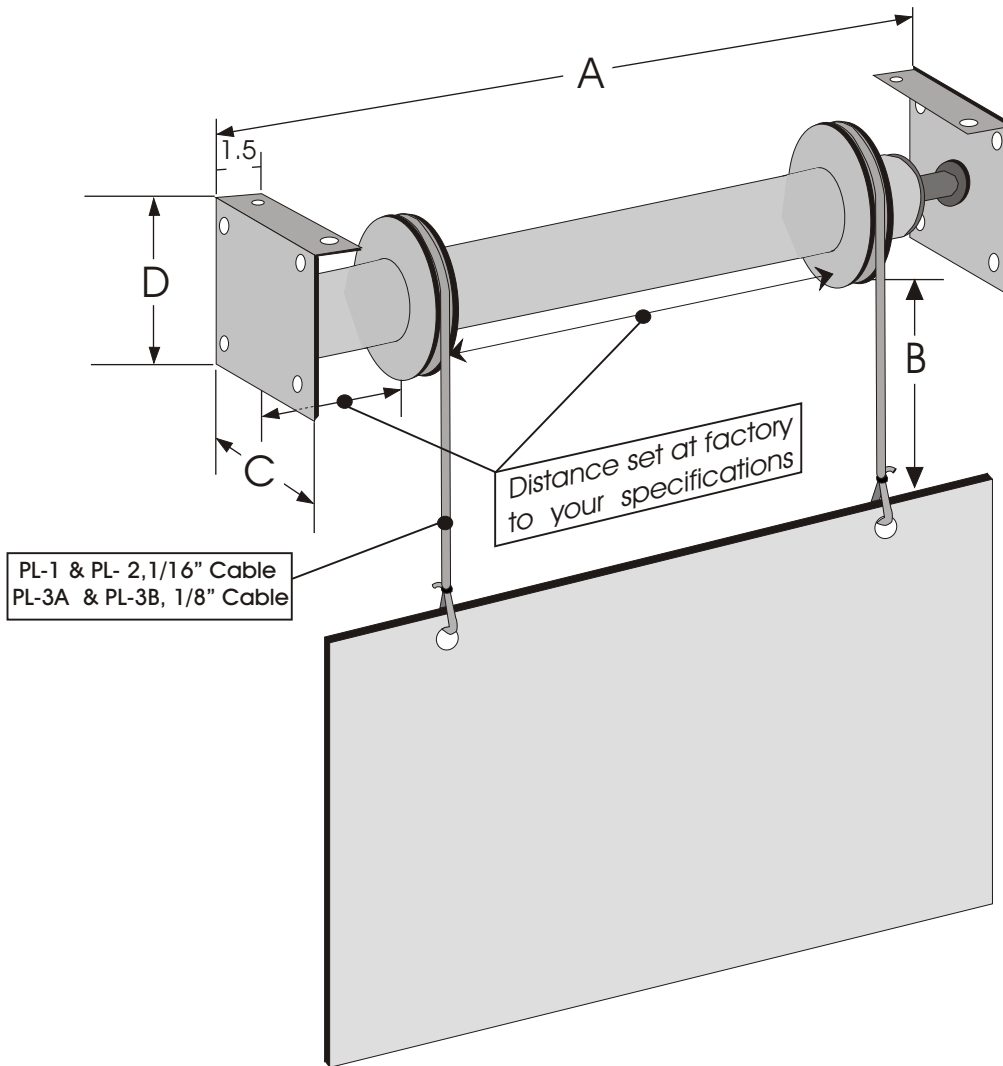
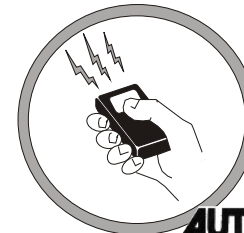


# AUTON MOTORIZED PANEL LIFT SERIES



PL-1 & PL-2, 1/16" Cable  
PL-3A & PL-3B, 1/8" Cable

Distance set at factory  
to your specifications



## AUTON POP UP TV LIFTS

AUTON MOTORIZED SYSTEMS  
27555 AVENUE SCOTT  
VALENCIA, CA 91355  
661.257.9282  
FAX 661.295.5638  
BEVERLY HILLS 310.659.1718  
E-MAIL: tvlifts@auton.com  
INTERNET <http://www.auton.com>

- Since 1955
- Inventor - Rack & Pinion TV Lift
- World's Oldest & Largest Manufacturer of TV Lifts
- Ready for Quick, Easy Installation
- Welded Steel Construction for Maximum Strength
- Smooth Rack & Pinion Operation
- Optional Controllers for this Model:
  - Radio Remote (S4P-RF)
  - Infrared Remote (S4P-IR)
  - Low Voltage/Dry Contact Control (LV56)
  - Momentary Rocker Switch (RS-3MO)
  - Maintain Rocker Switch (RS-3MA)
  - Current Sensor (S4P-CS)

EFFECTIVE: June 01, 2005

\* Please specify width (A) & Travel (B) required

ALL MEASUREMENTS IN INCHES

Model	A*	B (Travel)*	C	D	Load Max
PL-1	24 to 72 <input type="text"/>	6 to 90 <input type="text"/>	4	4.25	100 Lbs
PL-2	24 to 108 <input type="text"/>	6 to 90 <input type="text"/>	4	4.25	200 Lbs
PL-3 (a)	24 to 144 <input type="text"/>	6 to 90 <input type="text"/>	4	4.75	300 Lbs
PL-3 (b)	24 to 144 <input type="text"/>	6 to 150 <input type="text"/>	4	6	300 Lbs
CUSTOM					