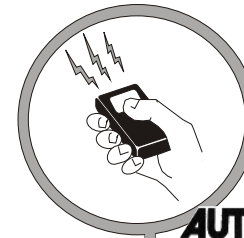
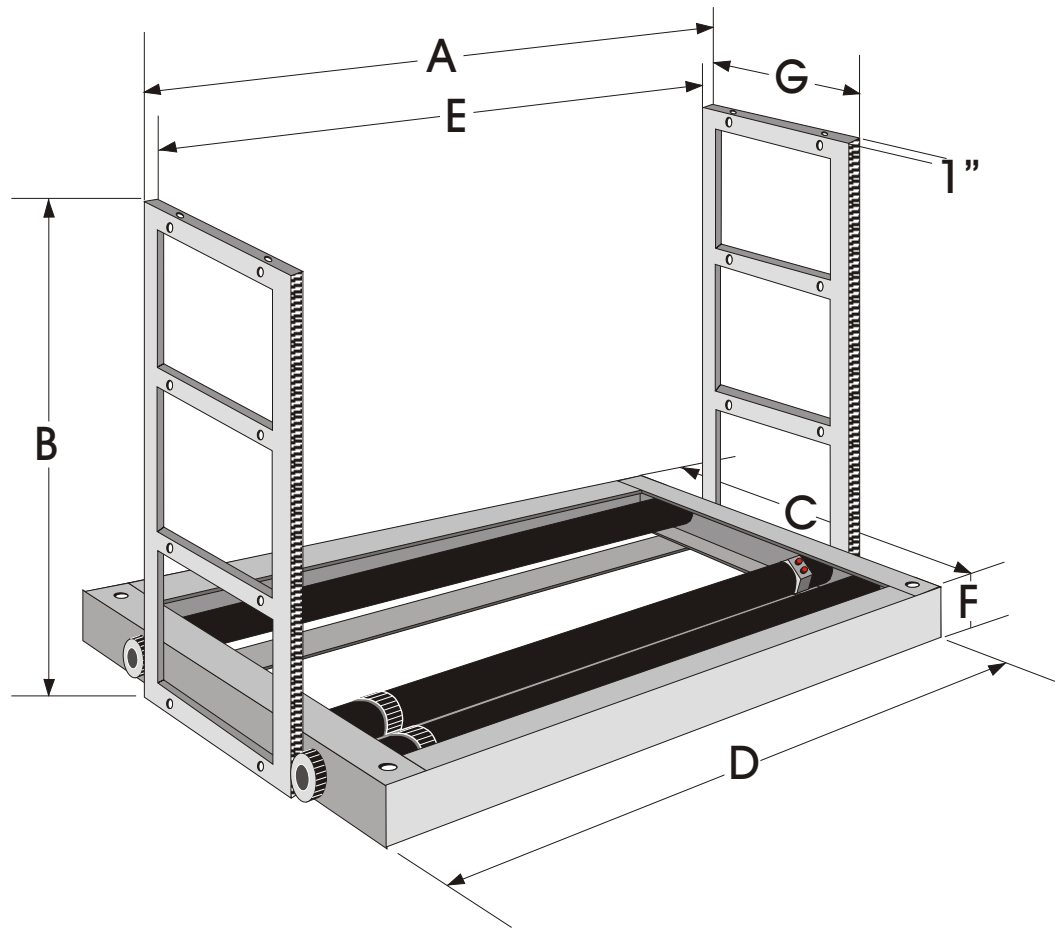


AUTON MOTORIZED 1000 SERIES

HEAVY DUTY



AUTON POP UP TV LIFTS

AUTON MOTORIZED SYSTEMS
 27555 AVENUE SCOTT
 VALENCIA, CA 91355
 661.257.9282
 FAX 661.295.5638
 BEVERLY HILLS 310.659.1718
 E-MAIL: tvlifts@auton.com
 INTERNET <http://www.auton.com>

- Since 1955
- Inventor - Rack & Pinion TV Lift
- World's Oldest & Largest Manufacturer of TV Lifts
- Ready for Quick, Easy Installation
- Welded Steel Construction for Maximum Strength
- Smooth Rack & Pinion Operation
- Optional Controllers for this Model:
 - Radio Remote (S4P-RF)
 - Infrared Remote (S4P-IR)
 - Low Voltage/Dry Contact Control (LV56)
 - Momentary Rocker Switch (RS-3MO)
 - Maintain Rocker Switch (RS-3MA)
 - Current Sensor (S4P-CS)

EFFECTIVE: June 01, 2005

Model	A	B	C	D	E	F	G	Travel	Max Load
1003	60	46	25	56.75	58	6	19.5	40	600 Lbs
1004	84	60	30	80.75	82	6	19.5	54	1000 Lbs
1005	120	72	30	116.75	118	6	19.5	66	2000 Lbs
CUSTOM									

ALL MEASUREMENTS IN INCHES

© AUTON MOTORIZED SYSTEMS 2005