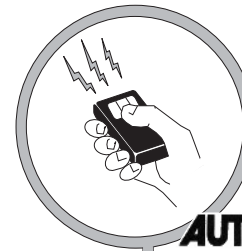
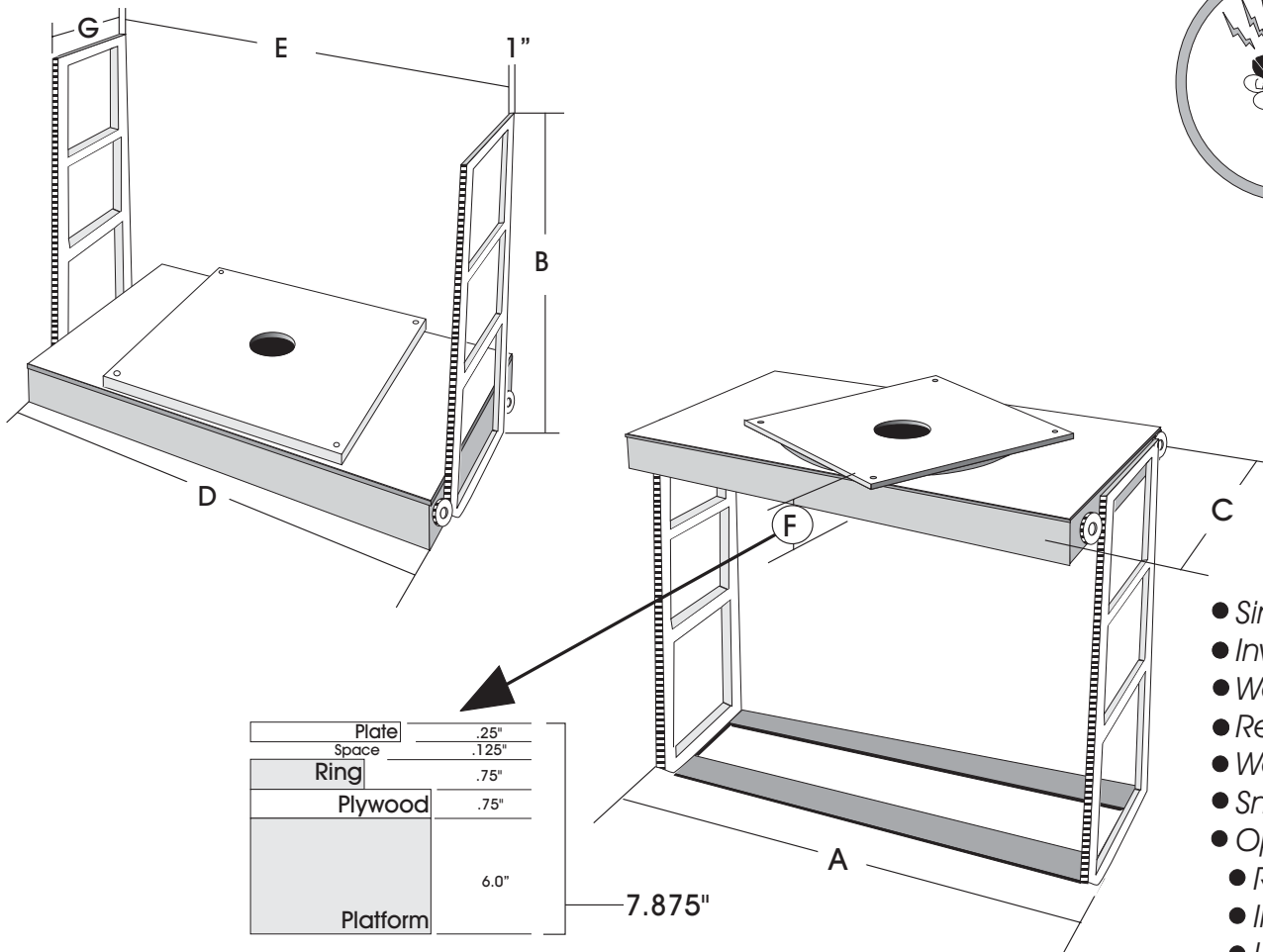


AUTON MOTORIZED LIFT & SWIVEL HEAVY DUTY



AUTON POP UP TV LIFTS

AUTON MOTORIZED SYSTEMS
 P. O. BOX 801960
 VALENCIA, CA 91380-1960
 661.257.9282
 FAX 661.295.5638
 BEVERLY HILLS 310.659.1718
 HONOLULU 808.734.1260
 E-MAIL tvlifts@auton.com
 INTERNET <http://www.auton.com>

- Since 1955
- Inventor - Rack & Pinion TV Lift
- World's Oldest & Largest Manufacturer of TV Lifts
- Ready for Quick, Easy Installation
- Welded Steel Construction for Maximum Strength
- Smooth Rack & Pinion Operation
- Optional Controllers for this Model:
 - Radio Remote (S4P-SWL-RF)
 - Infrared Remote (S4P-SWL-IR)
 - Low Voltage Control (LV56-SWL)

EFFECTIVE: JANUARY 1, 2001

MODEL	A	B	C	D	E	F	G	TRAVEL	MAX LOAD
1003-S	60	46	25	56.75	58	7.875	19	38.125	600 Lbs
CUSTOM									

ALL MEASUREMENTS IN INCHES

© AUTON MOTORIZED SYSTEMS 2001