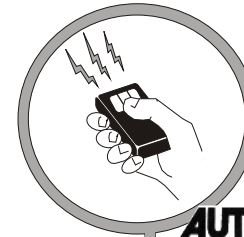
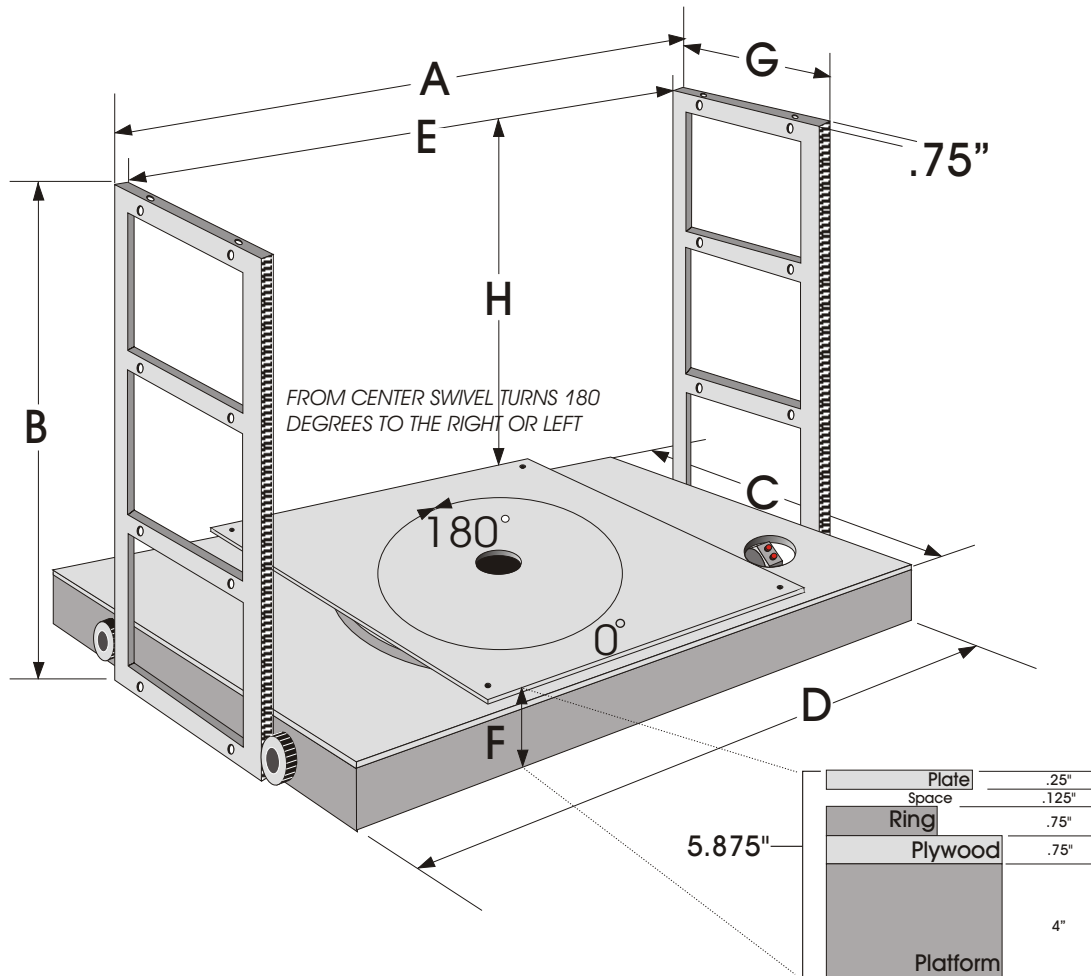


AUTON MOTORIZED LIFT & SWIVEL SERIES



AUTON POP UP TV LIFTS

AUTON MOTORIZED SYSTEMS
 27555 AVENUE SCOTT
 VALENCIA, CA 91355
 661.257.9282
 FAX 661.295.5638
 BEVERLY HILLS 310.659.1718
 E-MAIL: tvlifts@auton.com
 INTERNET <http://www.auton.com>

- Since 1955
- Inventor - Rack & Pinion TV Lift
- World's Oldest & Largest Manufacturer of TV Lifts
- Ready for Quick, Easy Installation
- Welded Steel Construction for Maximum Strength
- Smooth Rack & Pinion Operation
- Optional Controllers for this Model:
 - Radio Remote (S4P-SWL-RF)
 - Infrared Remote (S4P-SWL-IR)
 - Low Voltage Control (LV56-SWL)

EFFECTIVE: June 1, 2005

MODEL	A	B	C	D	E	F	G	H	TRAVEL	MAX LOAD
1001.5-S	36	34	20	33.25	34.5	5.875	12.5	28.125	30	300 Lbs
1002-S	42	37	25	39.25	40.5	5.875	19	31.125	33	450 Lbs
CUSTOM										

ALL MEASUREMENTS IN INCHES

© AUTON MOTORIZED SYSTEMS 2005