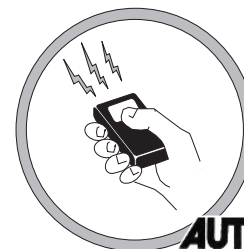
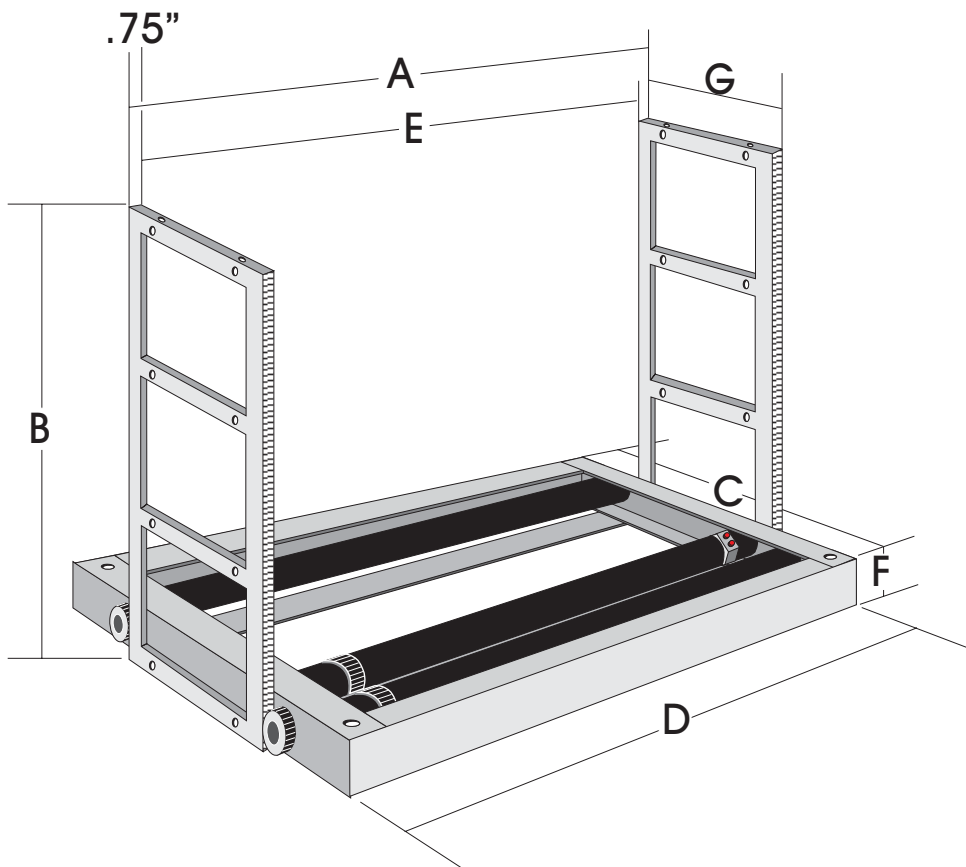


# AUTON MOTORIZED 1000 SERIES



## AUTON POP UP TV LIFTS

AUTON MOTORIZED SYSTEMS  
 P. O. BOX 801960  
 VALENCIA, CA 91380-1960  
 661.257.9282  
 FAX 661.295.5638  
 BEVERLY HILLS 310.659.1718  
 HONOLULU 808.734.1260  
 E-MAIL tvlifts@auton.com  
 INTERNET <http://www.auton.com>

- Since 1955
- Inventor - Rack & Pinion TV Lift
- World's Oldest & Largest Manufacturer of TV Lifts
- Ready for Quick, Easy Installation
- Welded Steel Construction for Maximum Strength
- Smooth Rack & Pinion Operation
- Optional Controllers for this Model:
  - Radio Remote (S4P-RF)
  - Infrared Remote (S4P-IR)
  - Low Voltage Control (LV56)
  - Momentary Rocker Switch (RS-3MO)
  - Maintain Rocker Switch (RS-3MA)

EFFECTIVE: JANUARY 1, 2001

ALL MEASUREMENTS IN INCHES

Model	A	B	C	D	E	F	G	Travel	Max Load
1000	24	20	16	21.25	22.5	3.25	9.125	16.75	100 Lbs
1000.5	30.5	28	16	27.75	29	3.25	9.125	24.75	150 Lbs
1001	31.5	30	16	28.75	30	3.25	9.125	26.75	200 Lbs
1001.5	36	34	20	33.25	34.5	4	12.5	30	300 Lbs
1002	42	37	20	39.25	40.5	4	12.5	33	450 Lbs
CUSTOM									