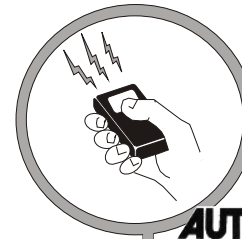
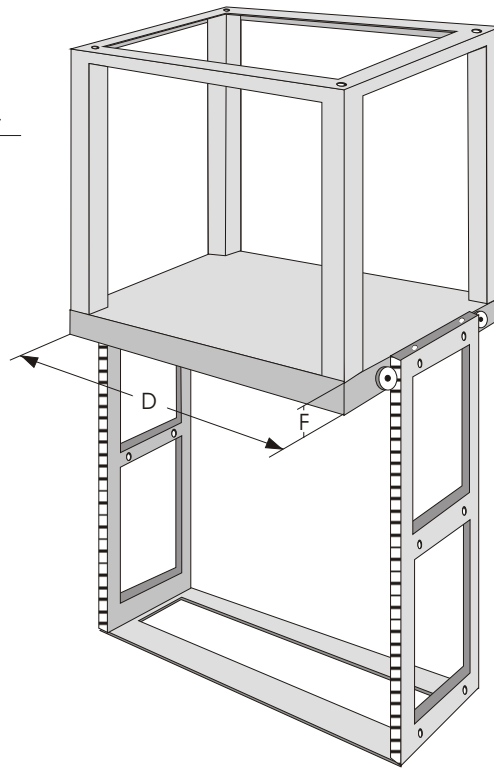
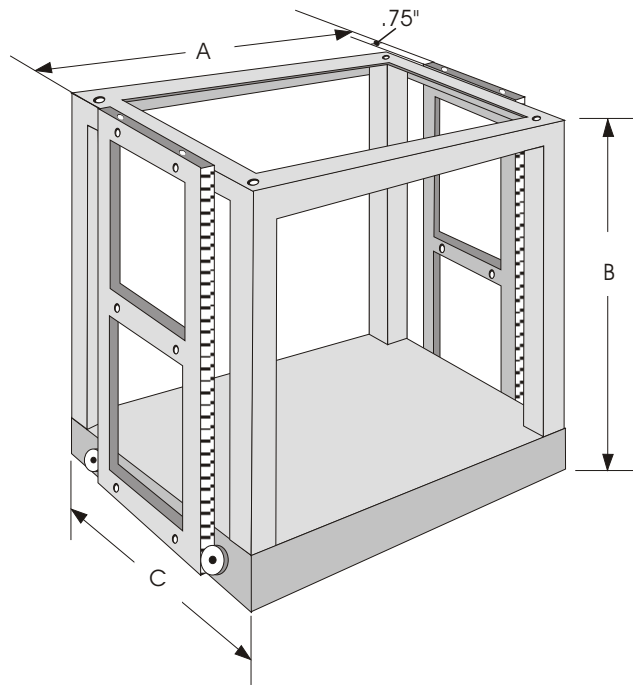


# AUTON MOTORIZED TABLE LIFT SERIES



## AUTON POP UP TV LIFTS

AUTON MOTORIZED SYSTEMS  
 27555 AVENUE SCOTT  
 VALENCIA, CA 91355  
 661.257.9282  
 FAX 661.295.5638  
 BEVERLY HILLS 310.659.1718  
 E-MAIL: tvlifts@auton.com  
 INTERNET <http://www.auton.com>

- Since 1955
- Inventor - Rack & Pinion TV Lift
- World's Oldest & Largest Manufacturer of TV Lifts
- Ready for Quick, Easy Installation
- Welded Steel Construction for Maximum Strength
- Smooth Rack & Pinion Operation
- Optional Controllers for this Model:
  - Radio Remote (S4P-RF)
  - Infrared Remote (S4P-IR)
  - Low Voltage/Dry Contact Control (LV56)
  - Momentary Rocker Switch (RS-3MO)
  - Maintain Rocker Switch (RS-3MA)
  - Current Sensor (S4P-CS)

EFFECTIVE: June 01 2005

ALL MEASUREMENTS IN INCHES

| Model  | A  | B  | C  | D     | E    | F    | Travel | Max Load |
|--------|----|----|----|-------|------|------|--------|----------|
| 1001-T | 17 | 17 | 12 | 14.25 | 15.5 | 3    | 14     | 100 Lbs  |
| 1002-T | 17 | 17 | 12 | 14.25 | 15.5 | 3    | 14     | 200 Lbs  |
| 1003-T | 24 | 17 | 17 | 21.25 | 15.5 | 3.75 | 13.25  | 300 Lbs  |
| CUSTOM |    |    |    |       |      |      |        |          |