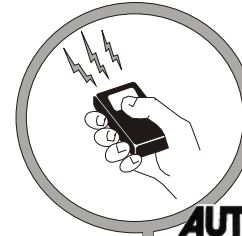
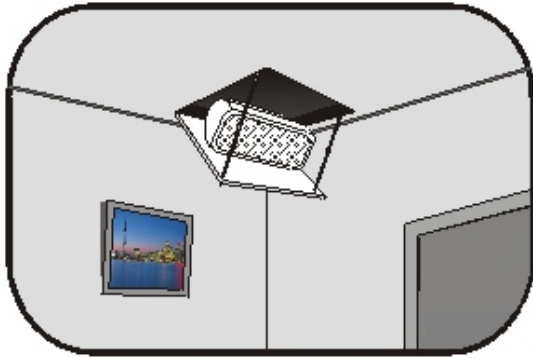
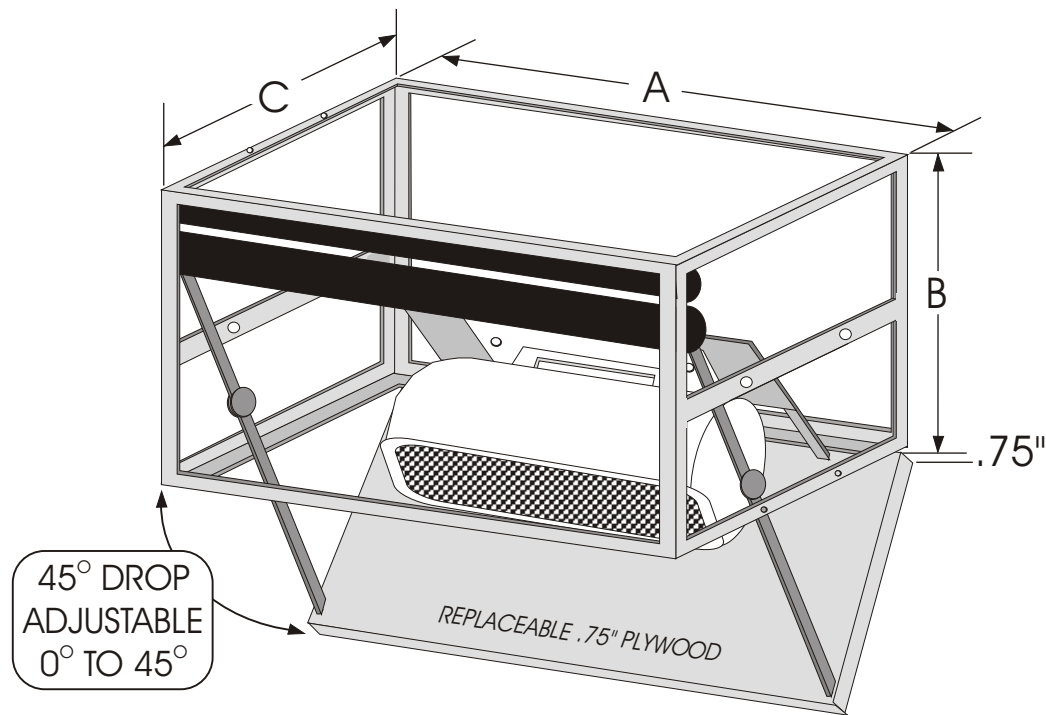


AUTON MOTORIZED CEILING SPEAKER LIFT



AUTON POP UP TV LIFTS

AUTON MOTORIZED SYSTEMS
 27555 AVENUE SCOTT
 VALENCIA, CA 91355
 661.257.9282
 FAX 661.295.5638
 BEVERLY HILLS 310.659.1718
 E-MAIL: tvlifts@auton.com
 INTERNET <http://www.auton.com>



Holds speaker up to: 11"W x 8 1/2" H x 9 1/2"

- Since 1955
- Inventor - Rack & Pinion TV Lift
- World's Oldest & Largest Manufacturer of TV Lifts
- Ready for Quick, Easy Installation
- Welded Steel Construction for Maximum Strength
- Smooth Rack & Pinion Operation
- Optional Controllers for this Model:
 - Radio Remote (S4P-RF)
 - Infrared Remote (S4P-IR)
 - Low Voltage/Dry Contact Control (LV56)
 - Momentary Rocker Switch (RS-3MO)
 - Maintain Rocker Switch (RS-3MA)
 - Current Sensor (S4P-CS)

EFFECTIVE: June 01, 2005

ALL MEASUREMENTS IN INCHES

| Model | A | B | C | Total height | Travel | Max Load |
|----------|----|---|----|--------------|------------|----------|
| 1001-SPL | 16 | 9 | 16 | 9.75 | 45 Degrees | 50 Lbs |
| CUSTOM | | | | | | |