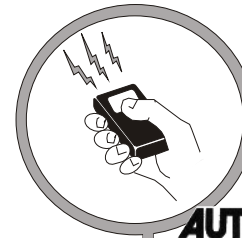
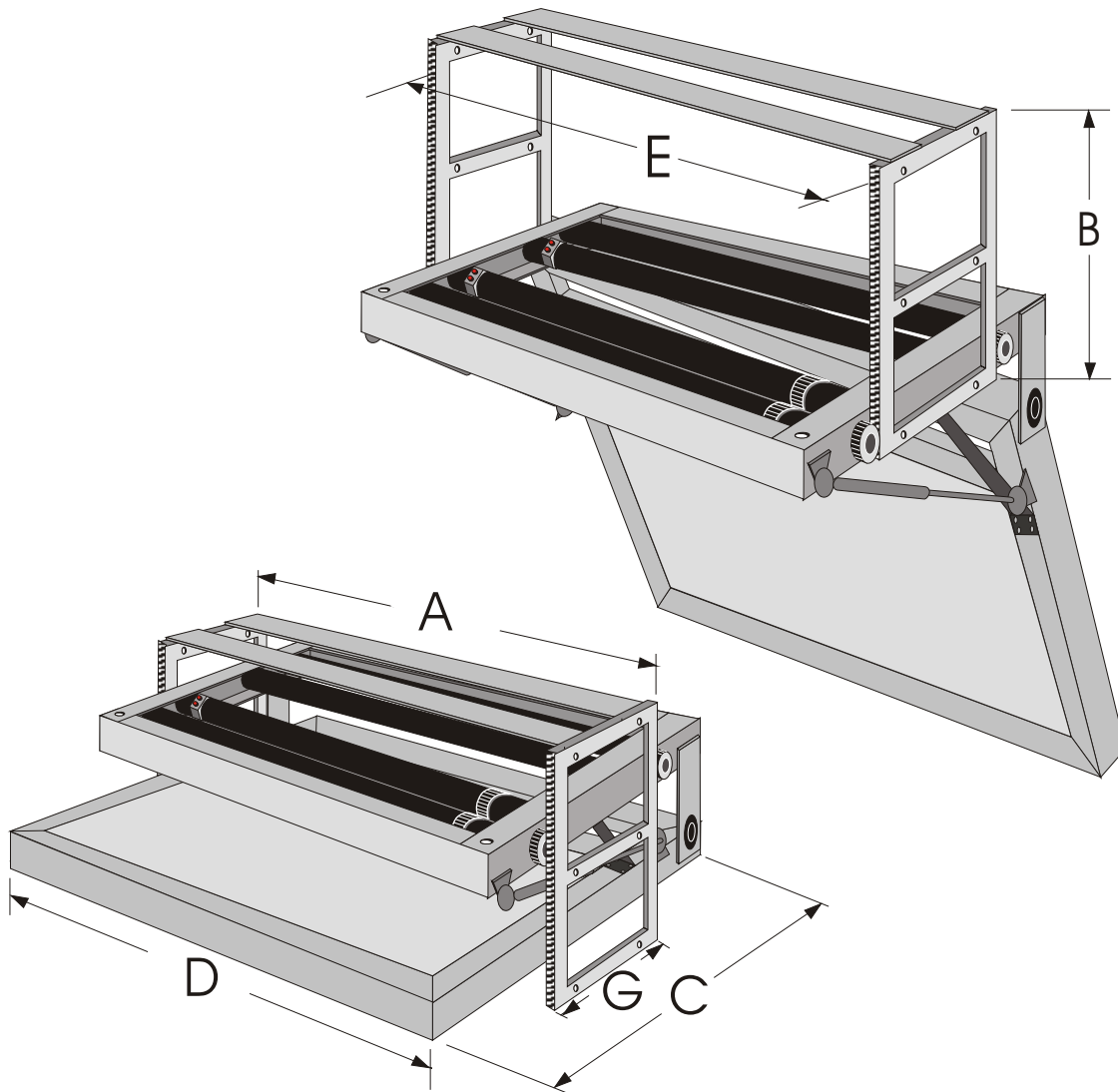


AUTON MOTORIZED PLASMA/LCD CEILING FLIP DOWN SERIES



AUTON POP UP TV LIFTS

AUTON MOTORIZED SYSTEMS
 27555 AVENUE SCOTT
 VALENCIA, CA 91355
 661.257.9282
 FAX 661.295.5638
 BEVERLY HILLS 310.659.1718
 E-MAIL: tvlifts@auton.com
 INTERNET <http://www.auton.com>

- Since 1955
- Inventor - Rack & Pinion TV Lift
- World's Oldest & Largest Manufacturer of TV Lifts
- Ready for Quick, Easy Installation
- Welded Steel Construction for Maximum Strength
- Smooth Rack & Pinion Operation
- Optional Controllers for this Model:
 - Radio Remote (S4P-RF)
 - Infrared Remote (S4P-IR)
 - Low Voltage/Dry Contact Control (LV56)
 - Momentary Rocker Switch (RS-3MO)
 - Maintain Rocker Switch (RS-3MA)
 - Current Sensor (S4P-CS)

EFFECTIVE: June 01, 2005

Model	A	B	C	D	E	G	Lowers	Tilts	Max Load
1000.5-FD	42	11.5	36	39.25	40.5	9.125	7	95°	100 Lbs
1001-FD	48	11.5	39	45.25	46.5	9.125	7	95°	100 Lbs
1002-FD	56	11.5	44	53.25	54.5	9.125	7	95°	150 Lbs
1003-FD	66	11.5	50	63.25	64.5	9.125	7	95	200 Lbs
CUSTOM									

ALL MEASUREMENTS IN INCHES

© AUTON MOTORIZED SYSTEMS 2005