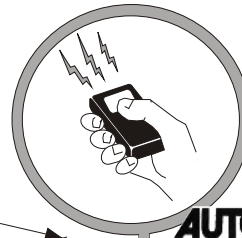
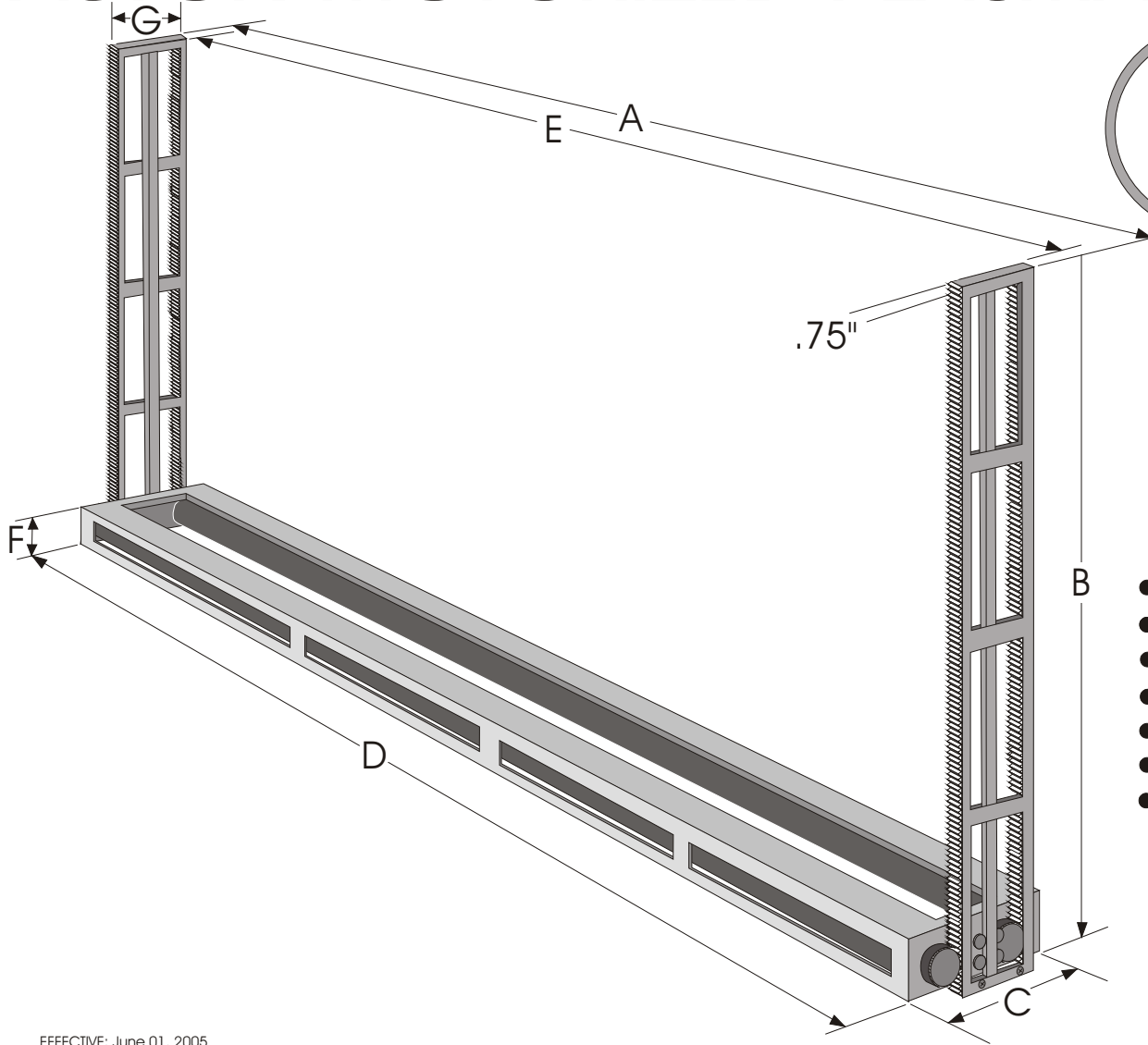


# AUTON MOTORIZED PLASMA/LCD LIFT SERIES



## AUTON POP UP TV LIFTS

AUTON MOTORIZED SYSTEMS  
 27555 AVENUE SCOTT  
 VALENCIA, CA 91355  
 661.257.9282  
 FAX 661.295.5638  
 BEVERLY HILLS 310.659.1718  
 E-MAIL: tvlifts@auton.com  
 INTERNET <http://www.auton.com>

- Since 1955
- Inventor - Rack & Pinion TV Lift
- World's Oldest & Largest Manufacturer of TV Lifts
- Ready for Quick, Easy Installation
- Welded Steel Construction for Maximum Strength
- Smooth Rack & Pinion Operation
- Optional Controllers for this Model:
  - Radio Remote (S4P-RF)
  - Infrared Remote (S4P-IR)
  - Low Voltage/Dry Contact Control (LV56)
  - Momentary Rocker Switch (RS-3MO)
  - Maintain Rocker Switch (RS-3MA)
  - Current Sensor (S4P-CS)

ALL MEASUREMENTS IN INCHES

EFFECTIVE: June 01, 2005

Model	A	B	C	D	E	F	G	Travel	Max Load
1000-P	26	24	9	23.25	24.5	5	7	19	100 Lbs
1000.5-P	40	30	9	37.25	38.5	5	7	25	150 Lbs
1001-P	46	33	9	43.25	44.5	5	7	28	200 Lbs
1002-P	54	35	9	51.25	52.5	5	7	30	200 Lbs
1003-P	64	40	9	61.25	62.5	5	7	35	300 Lbs
1004-P	74	45	9	71.25	72.5	5	7	40	350 Lbs
CUSTOM									